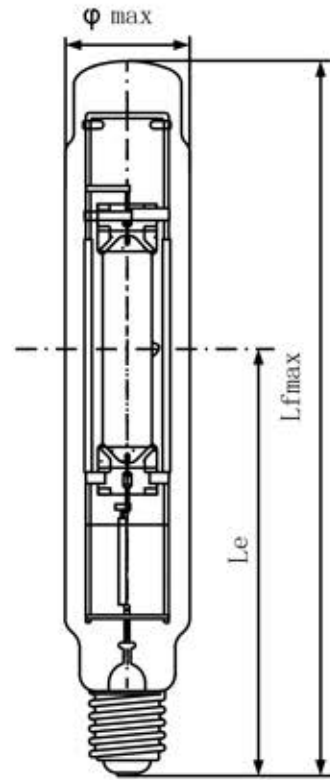


**PERFORMANCE DATA**

Initial lumens at rated watts after 100 hours operation	92000	Lm
Rated average life	10000	H
Warm up time	7	Min
Correlated color temperature	4000	K
CIE chromaticity	0.40,0.38	x,y
Color rendering index	65	
Operating Position	U	
PAR value (400-700nm)	1430	$\mu$ mol/s



**ELECTRICAL CHARACTERISTICS**

Nominal lamp wattage	1000	W
Nominal lamp voltage	125	V
Nominal lamp current	9.5	A

**PHYSICAL DESCRIPTION**

Maximum overall length	382	mm
Light center length	240	mm
Max Bulb diameter	82	mm
Base to bulb eccentricity (max)	3	degrees
Maximum bulb temperature	400	$^{\circ}$ C
Bulb designation	TT80	
Bulb material	Borosilicate(Hard Glass)	
Arc tube material	Quartz	
Bulb finish	Clear	
Base designation	E40	

